



photometrics®
CoolSNAP™
MYO

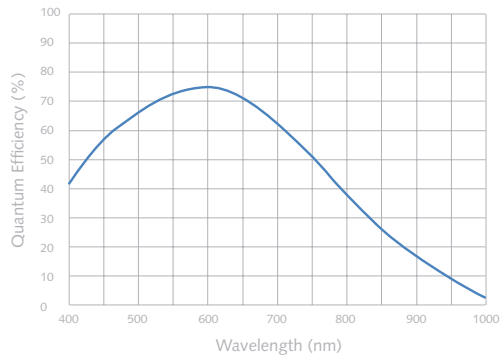
1940 x 1460 imaging array
4.54 x 4.54 μm pixels

The CoolSNAP MYO is a high resolution, high sensitivity camera for moderate to low-light life science applications. This unique cooled CCD provides 4.54μm pixel pitch, 14-bit digitization at 20MHz, enabling high spatial resolution and an optimized frame rate for time-lapse cell imaging. Its 2.8 Megapixels and a high Quantum Efficiency enables sensitive imaging with the option for binning for a higher dynamic range as well as increased signal-to-noise performance – all while providing an ideal pixel pitch for microscopy.

Primary applications

- Fixed Cell Imaging**
- Immunofluorescence**
- Cell Trafficking**
- FRET, FRAP, FISH**
- Near-Infrared DIC**
- Calcium/Ion Imaging**

Features	Benefits
1940 x 1460 imaging array 4.54 x 4.54 μm pixels	High spatial resolution for imaging finer details
High Quantum Efficiency	~75% peak quantum efficiency delivers high sensitivity
20 MHz read out	High Speed readout to maximize temporal resolution
USB 2.0 Interface	Easy connectivity and setup
Binning	Increase frame rate and signal-to-noise performance
14-bit digitization	Quantify bright and dim signals in the same image
Thermoelectric cooling	Stabilized cooling produces a low dark current for long exposures
Fan Disable Option	Disable the fan for vibration-sensitive applications
C-mount	Easily attaches to microscopes, standard lenses, or optical equipment
Acquisition software	Captures, analyzes, and saves high-resolution images
PVCam® Driver	Support in a wide range of third party software packages Supported in Windows 7 64-bit/32-bit



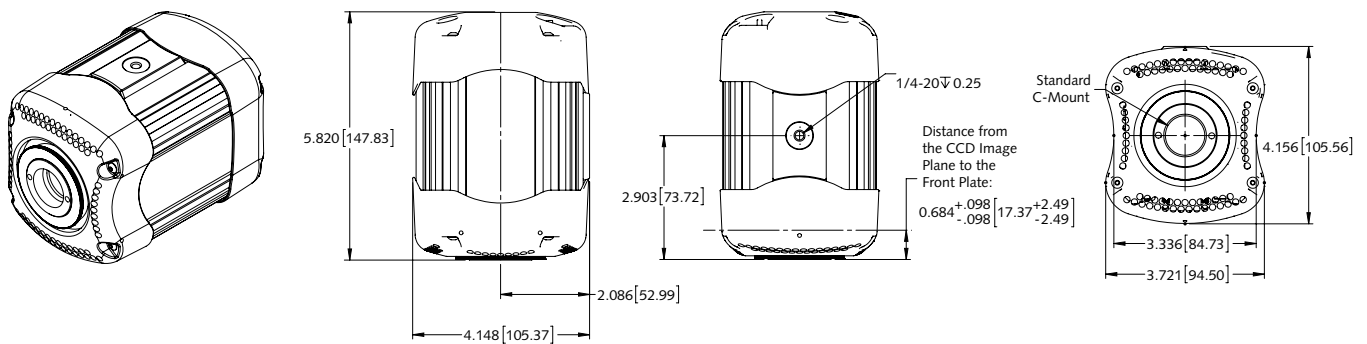
Binning	Region		
	1940 x 1460	970 x 730	646 x 486
1 x 1	6.3	11.8	16.8
2 x 2	11.6	20.8	28.4
3 x 3	16.2	27.8	36.5
4 x 4	20.1	33.2	42.6

(Frames per second)

Note: Frame rates are measured at 20 MHz with 0-millisecond exposure times.

Specifications	
CCD Sensor	Sony® ICX-674 Interline CCD
CCD Format	1940x1460 imaging array 4.54x4.54 μm pixels 8.8 x 6.6 mm imaging area (11mm diagonal, 2/3" format)
Linear Full-Well	12,000e-
Read Noise	< 4.5e-
Nonlinearity	< 1%
Digitization	20MHz, 10MHz, 1.25MHz
Cooling	0°C
Dark Current	0.005 e-/pixel/second @ 0°C
Operating Environment	0 to 30°C ambient, 0-80% relative humidity non-condensing
Triggering	Trigger First Mode Strobe Mode Bulb Mode
Power Requirements	5V DC, 4A Maximum

Note: Specifications are typical and subject to change.



CoolSNAP is a trademark of Photometrics. Photometrics and PVCam are registered trademarks of Photometrics. Other brand and product names are the trademarks or registered trademarks of their respective owners and manufacturers.

PHOTOMETRICS®
www.photometrics.com
 info@photometrics.com
 tel: +1 520.889.9933